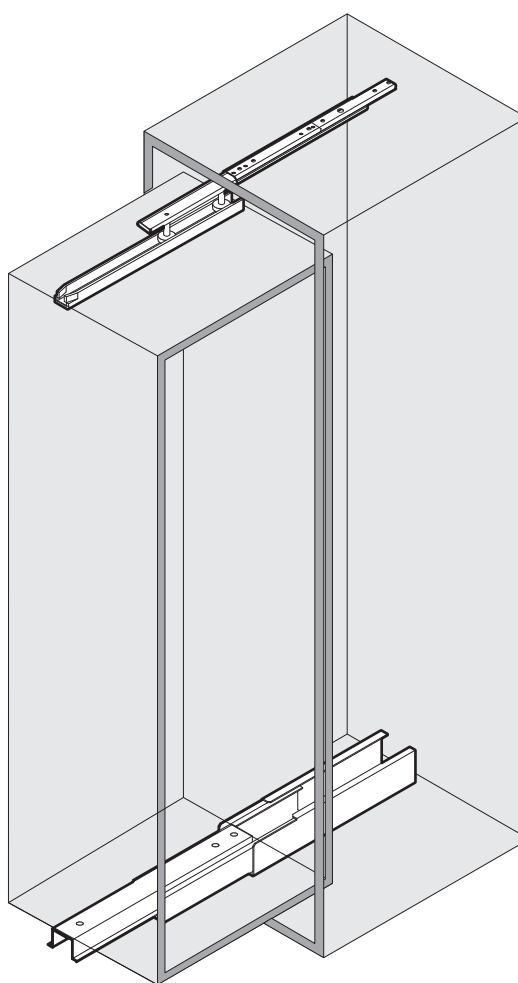



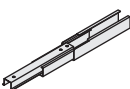


BOX





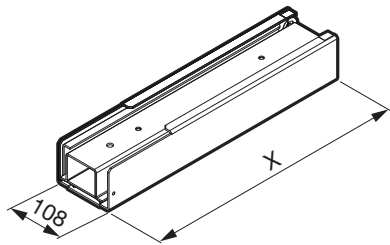
Vollauszug für Holzkonstruktionen
Extension complète pour constructions de caisses en bois
Full-extension runner for wooden cabinets



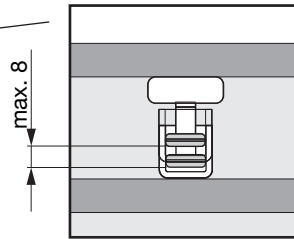
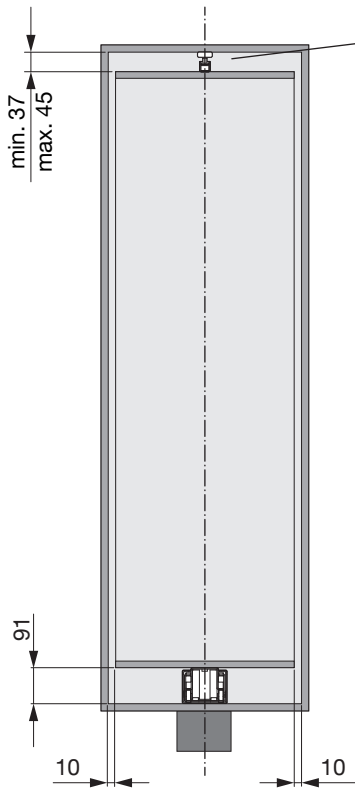
| |
|-------------|
| Art.Nr. |
| 1000 |
| 100.0089.xx |
| 900 |
| 100.0098.xx |
| 800 |
| 100.0097.xx |
| 700 |
| 100.0096.xx |
| 600 |
| 100.0095.xx |
| 530 |
| 100.0094.xx |
| 490 |
| 100.0092.xx |
| 450 |
| 100.0091.xx |
| 390 |
| 100.0378.xx |

| | | | |
|---|---|--|---|
| 1x  | 1x  | 4x  M6x30 | 1x  |
|---|---|--|---|

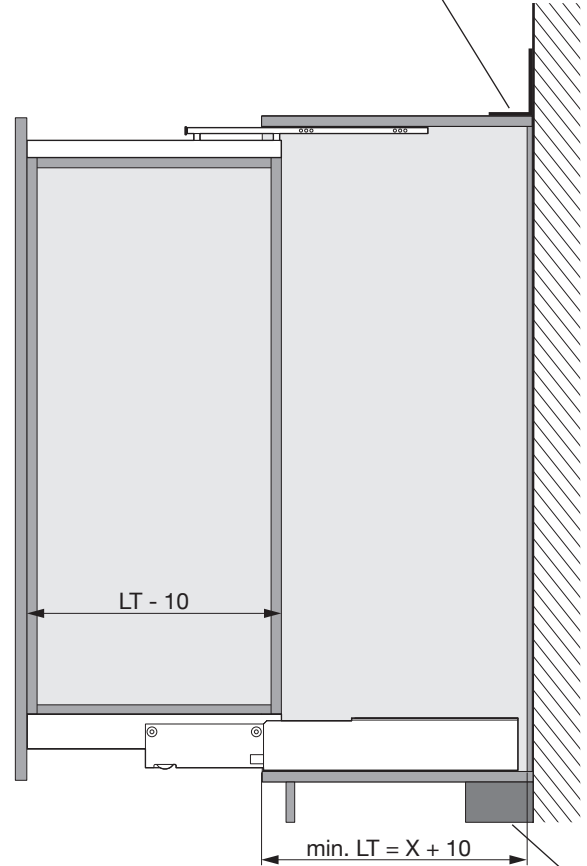
| Option Softclose | |
|---|---|
| 1x  | 1x  |
| 100.0409.04 | |



! Hochschrank gegen Kippen sichern!
Sécuriser l'armoire contre le basculement !
Secure the larder unit against tilting over!

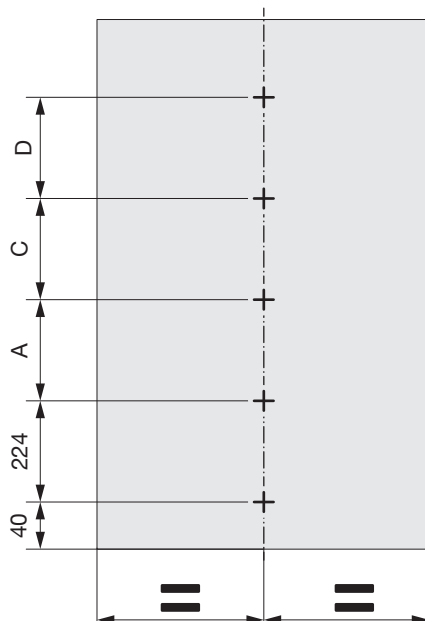
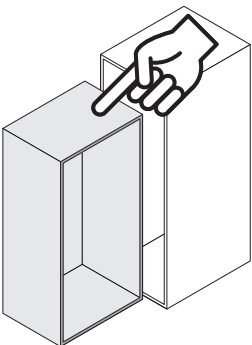
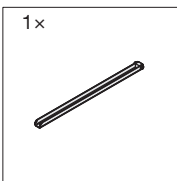


| Art. Nr. | X | max. kg |
|-------------|------|---------|
| 100.0089.xx | 1000 | 120 kg |
| 100.0098.xx | 900 | |
| 100.0097.xx | 800 | |
| 100.0096.xx | 700 | |
| 100.0095.xx | 600 | |
| 100.0094.xx | 530 | 150 kg |
| 100.0092.xx | 490 | |
| 100.0091.xx | 450 | |
| 100.0378.xx | 390 | |

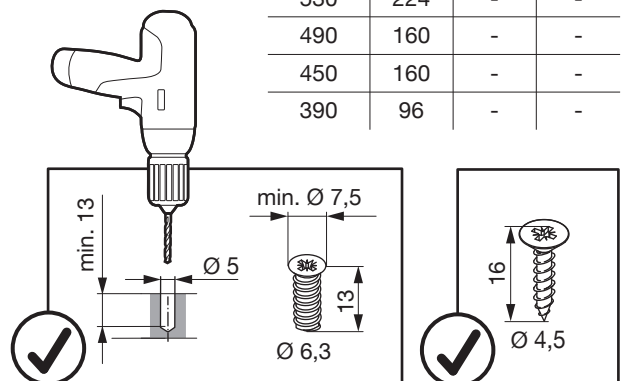


! Boden für Befestigung des Auszuges verstärken!
Renforcer le fond pour la fixation de l'extension !
Reinforce the bottom for fixing the extension!

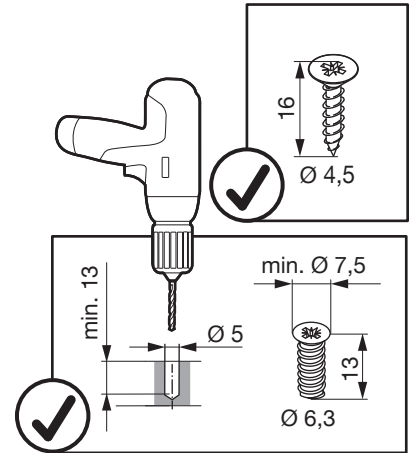
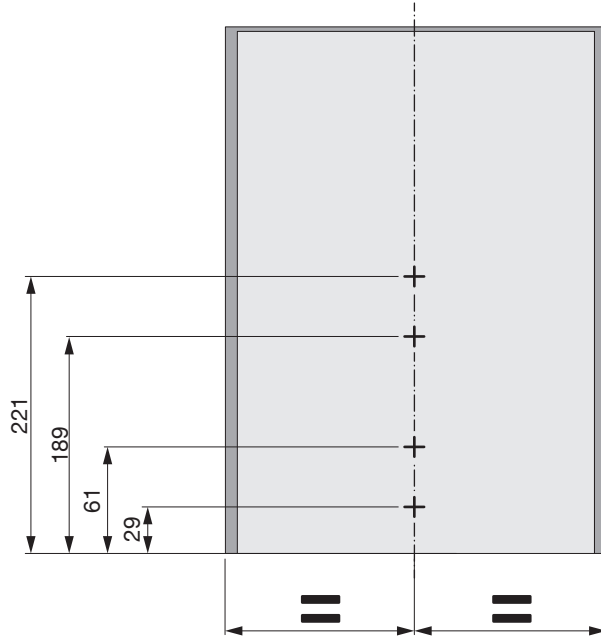
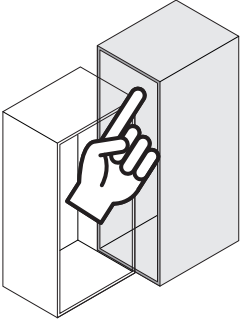
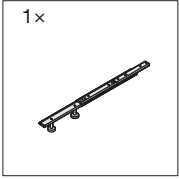
1



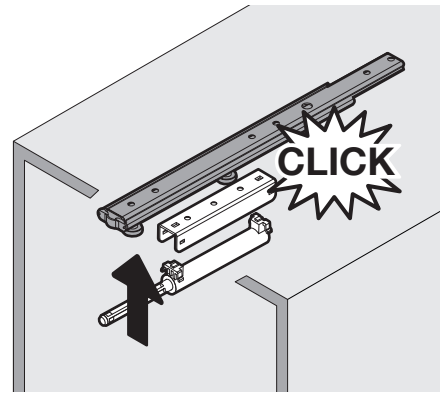
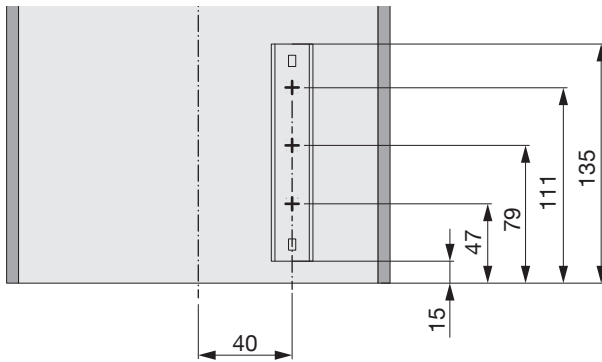
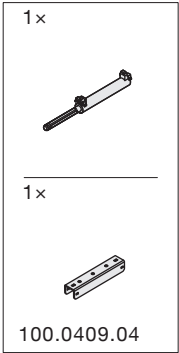
| X | A | C | D |
|------|-----|-----|-----|
| 1000 | 224 | 224 | 160 |
| 900 | 224 | 224 | 160 |
| 800 | 224 | 224 | - |
| 700 | 224 | 160 | - |
| 600 | 224 | - | - |
| 530 | 224 | - | - |
| 490 | 160 | - | - |
| 450 | 160 | - | - |
| 390 | 96 | - | - |



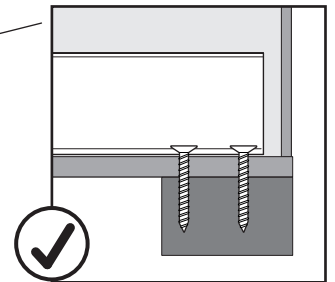
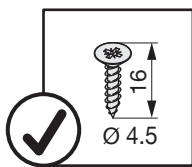
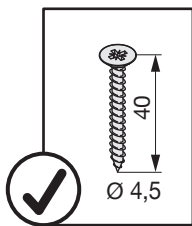
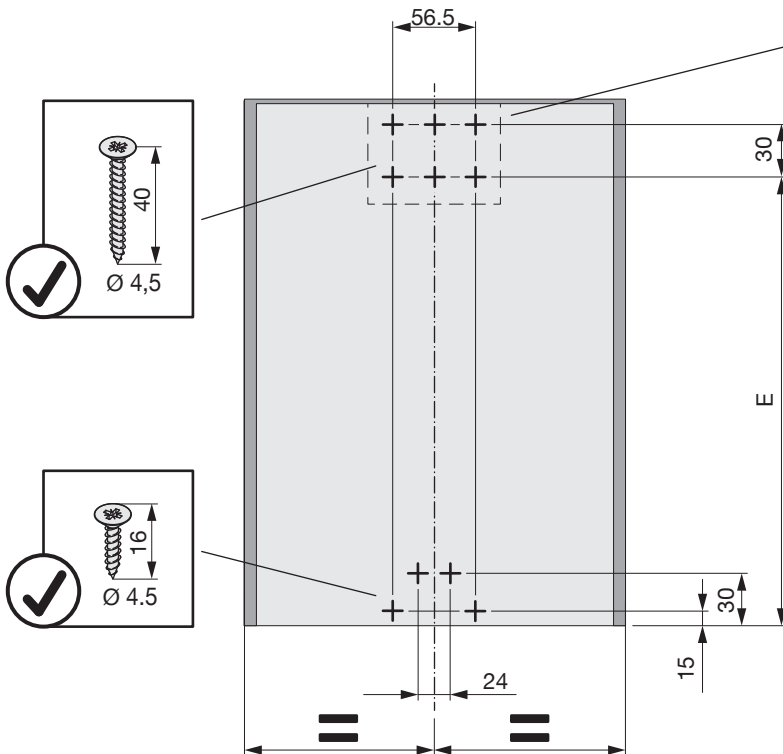
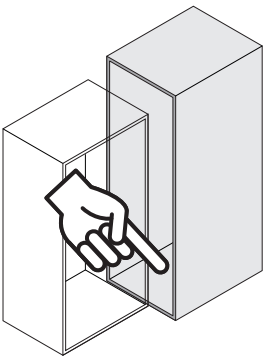
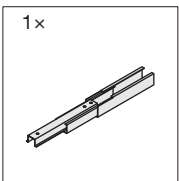
2



Option Softclose

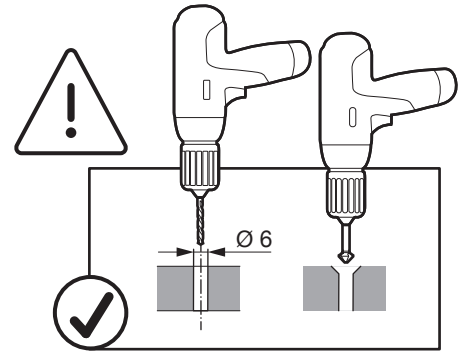
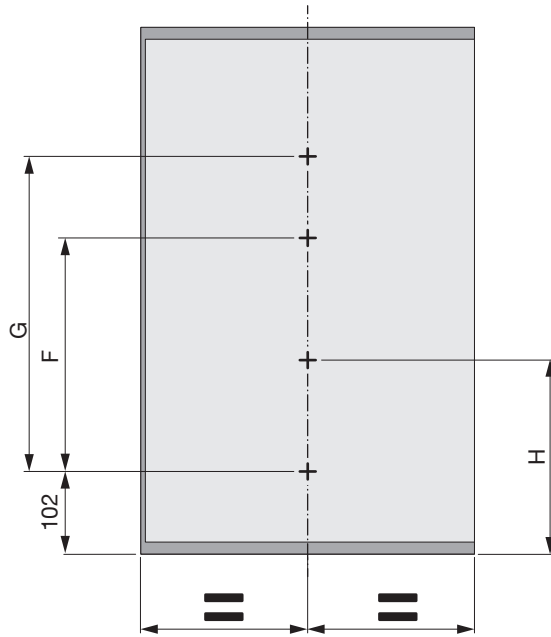
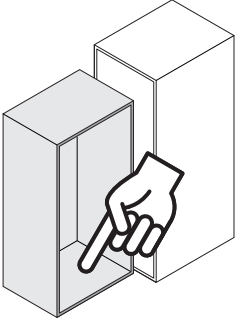
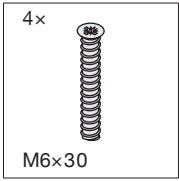


3



| X | E |
|------|-----|
| 1000 | 935 |
| 900 | 835 |
| 800 | 735 |
| 700 | 635 |
| 600 | 535 |
| 530 | 465 |
| 490 | 425 |
| 450 | 385 |
| 390 | 325 |

4



| X | F | G | H |
|------|-----|-----|-----|
| 1000 | 665 | 735 | 490 |
| 900 | 702 | 753 | 440 |
| 800 | 602 | 653 | 390 |
| 700 | 502 | 553 | 340 |
| 600 | 402 | 453 | - |
| 530 | 321 | - | - |
| 490 | 265 | - | - |
| 450 | 252 | - | - |
| 390 | 202 | - | - |

5

