

HOCHSCHRANK CONVOY CENTRO LARDER PULL-OUT

The elegant front pull-out for modern kitchens



CONFIGURATIONS



Arena Vario shelves, chrome

DISTINGUISHING FEATURES



- More space and added convenience for modern kitchens
- Perfect for storing groceries
- ‚Floating‘ shelves with no visible fixtures

- Shelves can be positioned at any height
- Compact storage solution offering access from two sides
- The shelves' transparent sides give an unbeatable overview of their contents

- Soft opening and closing
- Load capacity of 120 kg
- Moves smoothly and quietly

OPTIONS

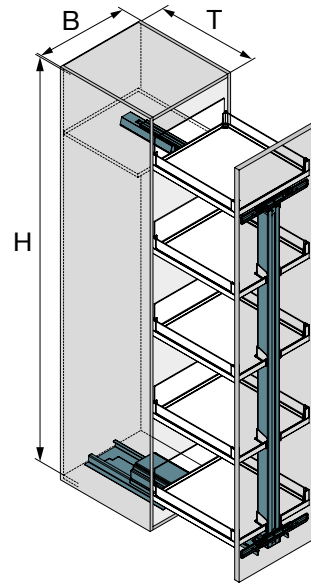


E-Touch

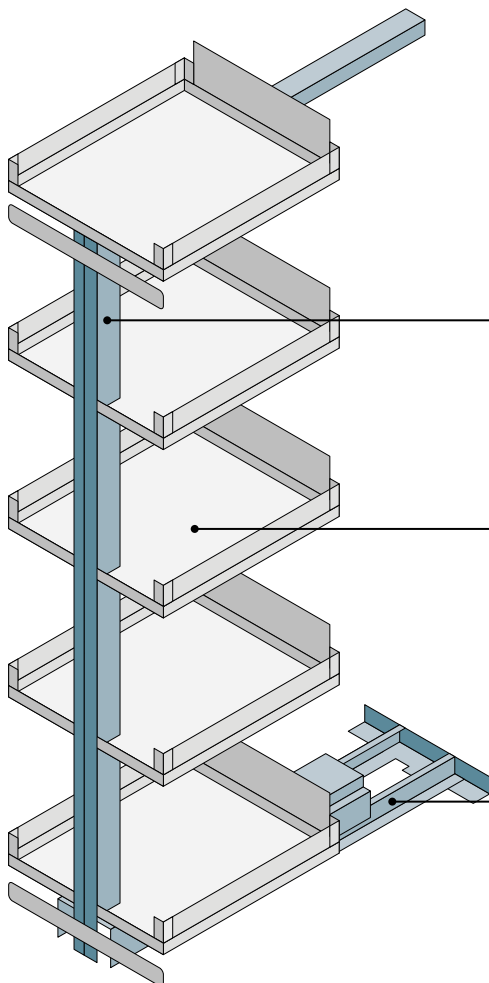
Just touch the unit door to open and close the unit automatically.

TECHNICAL ILLUSTRATION

B= Unit widths	400/450/500/600 mm
T= Interior depth	500 mm
H= Interior height	1000–2400 mm



LIST OF COMPONENTS



Column

Column Set → 1.33

Accessories

Clip-on shelf set Arena Vario → 1.34

Extra shelf Arena Vario → 1.34

E-Touch → 1.35

Extension runner

Full-extension runner → 1.33

Extension runner



Full-extension runner Convoy Centro

For the Convoy Centro column set

- Includes adapter for upper runner
- Integrated Softclose
- Includes slide-out mechanism and Softopen
- Includes ClickFixx / quick assembly

Load capacity: 120 kg

	Surface	Width	Depth	Height	Art. No.
	silver	200	495	100	100.0626.02

Column



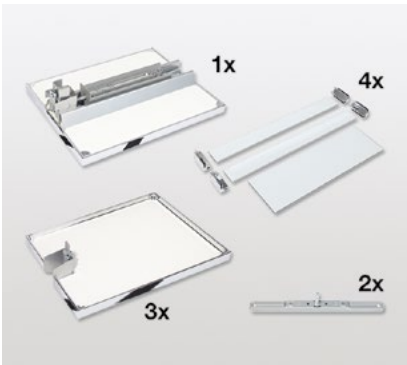
Column set Convoy Centro

For the Convoy Centro full-extension runner

- With front stabiliser (Set of one or two pieces)
- Includes ClickFixx / quick assembly

Interior height	Surface	Width	Depth	Height	Art. No.
1900 - 1999	silver			1530	100.0636.02
2000 - 2099	silver			1630	100.0637.02
2100 - 2199	silver			1730	100.0638.02

Other columns available on request



Clip-on shelf set Arena Vario

For the Convoy Centro column set

- Wooden shelf with non-slip coating

Set includes:

- 3 height adjustable shelves with glass rail
- 1 fixed shelf at the top, upper runner included
- 4 glass rail sets
- 2 front brackets
- 1 stiffening bracket (for units with widths from 450 mm)

White shelf with chrome-plated rail

Unit width	Surface	Width	Depth	Height	Art. No.
400	chrome	350	470	80 / 148	100.0746.05
450	chrome	400	470	80 / 148	100.0747.05
500	chrome	450	470	80 / 148	100.0748.05
600	chrome	550	470	80 / 148	100.0749.05



Clip-on shelf Arena Vario (extra)

For the Convoy Centro column set

- Wooden shelf with non-slip coating

Set contains:

- 1 height-adjustable shelf
- 1 set of glass rails

White shelf with chrome-plated rails

One or two additional shelves are recommended for interior heights of 2,000 mm

Unit width	Surface	Width	Depth	Height	Art. No.
400	chrome	350	470	80 / 148	100.0650.05
450	chrome	400	470	80 / 148	100.0651.05
500	chrome	450	470	80 / 148	100.0652.05
600	chrome	550	470	80 / 148	100.0654.05



E-Touch

Electronic door opener for full-extension runner Convoy Centro

- For handle-free fronts – opens with a light tap
- Can be retrofitted

Impact force: max. 120 kg

Electromotive support: opening / closing

	Surface	Width	Depth	Height	Art. No.
	grey	48	388	100	100.0871.02