

BASE UNIT ACCESSORIES

—
Handy helpers for base units



PRODUCT OVERVIEW



Click Stop locking mechanism for pull-outs

Click Stop turns a movable pull-out shelf into a fixed work surface – and back again. The shelf automatically locks in place when fully extended. To unlock it, pull the shelf forward again and then slide it back into place.

Ideal as a pull-out shelf for your coffee machine, a desk for your home office, a laundry table, a presentation table, a food preparation space, a packing table or a changing table.



Sesam Mini

A simple clip-on, closed-base shelf for storing small kitchen utensils or cleaning materials.



Extending towel rail

With this extending towel rail, your bathroom or kitchen towels will always be within easy reach.



Baking tray holder

This bracket allows you to store baking trays or chopping boards inside a unit without taking up too much space, for easy access at any time.



Porter

Base-mounted pull-out for gas canisters, machines or bottle crates.



Click Stop left

Locking mechanism for Extendo pull-out shelf and wooden pull-out shelves

- Can be retrofitted
- Compatible with Extendo pull-out shelves and standard sliding systems for wooden drawers

Set contains:

1 guiding cam for side walls

1 locking unit for pull-out shelves

Type	Surface	Width	Depth	Height	Art. No.
left	white	89	18	55	200.2154.01
left	anthracite	89	18	55	200.2154.43



Click Stop right

Locking mechanism for Extendo pull-out shelf and wooden pull-out shelves

- Can be retrofitted
- Compatible with Extendo pull-out shelves and standard sliding systems for wooden drawers

Set contains:

1 guiding cam for side walls

1 locking unit for pull-out shelves

Type	Surface	Width	Depth	Height	Art. No.
right	white	89	18	55	200.2155.01
right	anthracite	89	18	55	200.2155.43



Spacer piece

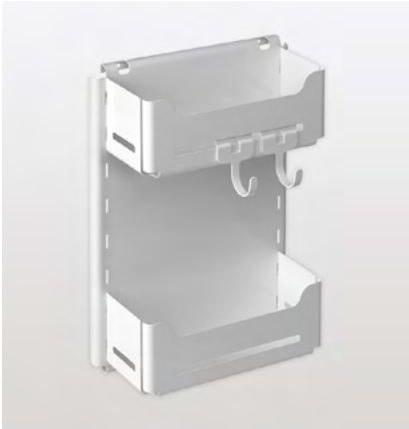
For Click Stop, when used with an Extendo pull-out shelf with spacer

- Can be fitted on the left or the right

	Surface	Width	Depth	Height	Art. No.
	white	25	73	32	200.2223.21
	anthracite	25	73	32	200.2223.43

Recommendation on using 1 or 2 Click Stops

Shelf pull-out ≤ 500 mm	1 Click Stop, to be fitted on the left or the right
Shelf pull-out in corner unit	1 Click Stop, to be fitted on the left or the right
Other applications from 550 mm	2 Click Stops (1 left, 1 right)



Sesam Mini

Multi-purpose shelf system

- The ideal place to store small utensils thanks to the high, closed trays
- Can be fixed to the right or left wall
- Modular system, so the shelves are height-adjustable

Set containing:

- 1 shelf system
- 2 clip-on shelves
- 2 clip-on hooks

	Surface	Width	Depth	Height	Art. No.
	white	121	278	434	600.0380.01
	silver	121	278	434	600.0380.12
	anthracite	121	278	434	600.0380.43



Towel rail extension

2 or 3 arms

- Can be positioned at any angle
- With cover plate

May be mounted on the side wall, on the left or right
Length of runner: 480 mm

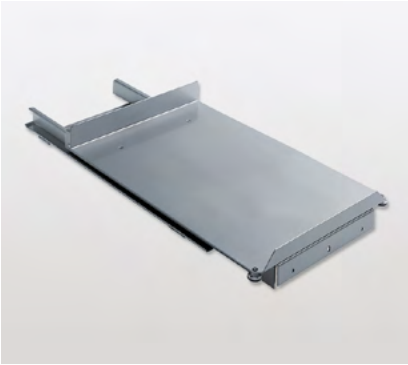
Arms	Surface	Width	Depth	Height	Art. No.
2	mat chromed	105	495		600.0317.09
3	mat chromed	145	495		600.0316.09



Baking tray and chopping board holder

To be mounted on the base of the unit in open cupboards, behind doors or on the base of the pull-out

	Surface	Width	Depth	Height	Art. No.
	chrome	80	300	250	600.0008.05



Porter

Standard pull-out for bottle crates

- Integrated deflector wheels on left and right
- Mounted on the base of the unit

Load capacity: 100 kg

	Surface	Width	Depth	Height	Art. No.
	silver	279	500	46 / 85	200.0395.02



Porter Basic

Standard-extension pull-out for base unit wooden cabinets

- Mounted on the base of the unit

Load capacity: 100 kg

	Surface	Width	Depth	Height	Art. No.
	zinc plated	120	500	44	100.0265.04
	zinc plated	215	500	44	100.0268.04