

# KITCHEN TOWER UNIVERSAL PULL-OUT

The versatile, modern base unit pull-out for kitchens and cleaning cupboards



swiss made

## CONFIGURATIONS

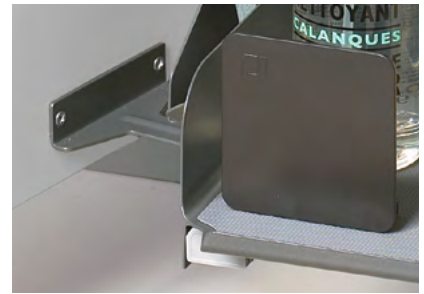


Kitchen Tower 600  
(white, silver, anthracite)



Kitchen Tower 450  
(white, silver, anthracite)

## DISTINGUISHING FEATURES



- Compact design for efficiently storing your most-used kitchen and housekeeping tools in one place
- Automatically glides out of the unit when you open the door
- An excellent overview and access to unit contents from three sides
- Orderly storage of cloths, sponges, cleaning products, brushes and more
- Removable dispenser with a transparent lid for storing small, loose items
- A stable, durable system designed for daily use
- Can be used whether the unit doors are mounted on the right or the left
- Base-mounted, so does not need to be positioned at a specific side

## OPTIONS



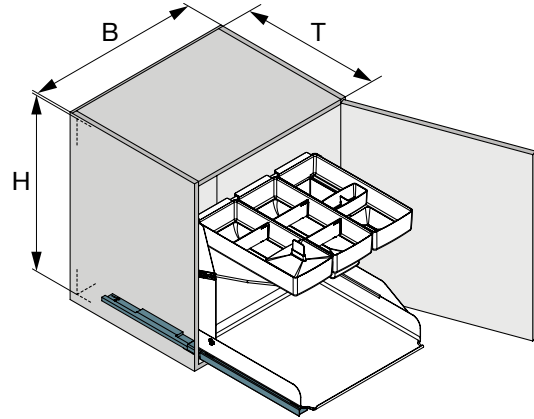
### Divider

Extra magnetic dividers for organising and arranging the storage space on the bottom shelf.

## TECHNICAL ILLUSTRATION

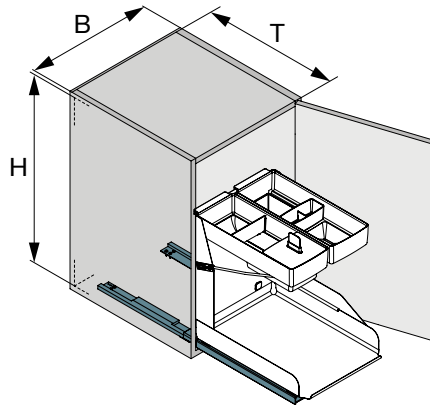
### Kitchen Tower 600

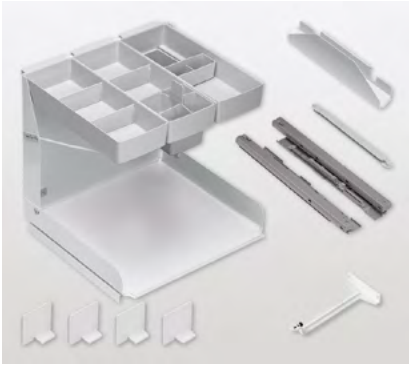
<b>B= Unit widths</b>	600 mm
<b>T= Interior depth</b>	500 mm
<b>H= Interior height</b>	560 mm



### Kitchen Tower 450

<b>B= Unit widths</b>	450 mm
<b>T= Interior depth</b>	500 mm
<b>H= Interior height</b>	560 mm





### Kitchen Tower type 600

Full base unit pull-out set for units with hinged doors

- Includes Softclose
- May be installed on the left or right

Set includes:

- 3 upper-level trays, incl. dividers and a 4-section dispenser \*
- 4 magnetic dividers
- 1 non-slip mat
- 1 chopping board holder
- 1 full-extension runner including Softclose
- 1 door fitting

Unit width	Surface	Width	Depth	Height	Art. No.
600	white	562 - 568	500	560	200.1787.21
600	silver	562 - 568	500	560	200.1787.12
600	anthracite	562 - 568	500	560	200.1787.43

\* Material: ABS, UV-resistant, food safe and dishwasher safe



### Kitchen Tower type 450

Full base unit pull-out set for units with hinged doors

- Includes Softclose
- May be installed on the left or right

Set includes:

- 2 upper-level trays, incl. dividers and a 4-section dispenser \*
- 2 magnetic dividers
- 1 non-slip mat
- 1 chopping board holder
- 1 full-extension runner including Softclose
- 1 door fitting

Unit width	Surface	Width	Depth	Height	Art. No.
450	white	412 - 418	500	560	200.1786.21
450	silver	412 - 418	500	560	200.1786.12
450	anthracite	412 - 418	500	560	200.1786.43

\* Material: ABS, UV-resistant, food safe and dishwasher safe