

# SESAM MINI SHELF SYSTEM

—  
The compact storage shelf



swiss made

## CONFIGURATIONS



Sesam Mini, white



Sesam Mini, silver



Sesam Mini, anthracite

## DISTINGUISHING FEATURES



- Two sturdy metal shelves and two hooks for buckets or cleaning cloths
- The perfect place to store cleaning equipment and shoe-cleaning tools
- Can also be used to store groceries and spices

- Can be installed in high or low units, on the inner wall or on the inside of the door
- An excellent addition to Sesam Standard for cleaning cupboards

- Easy assembly – four screws are all you need
- You can move the shelves and hooks around to suit your preferences
- The shelves' bases are closed, which stops bottles from toppling and small items from falling through

## OPTIONS

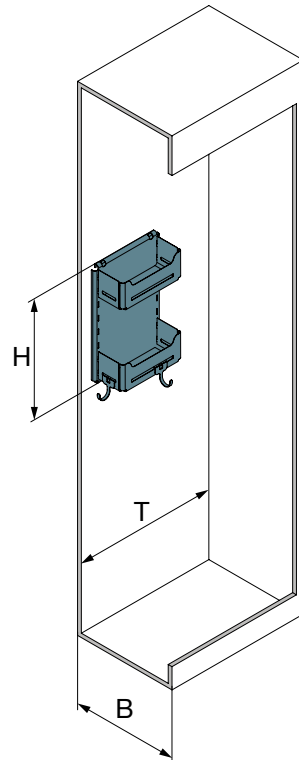


### Extra hooks

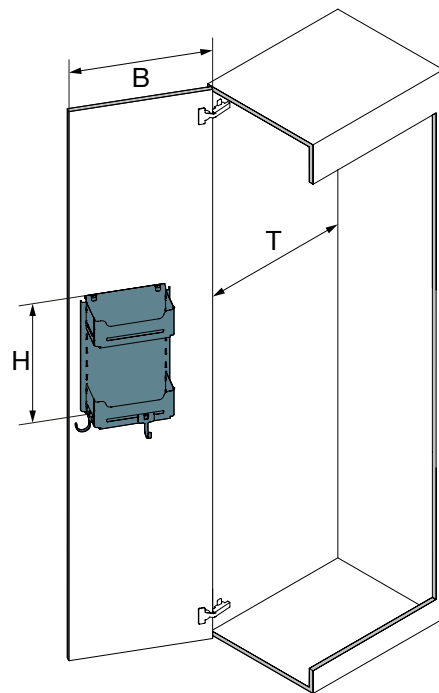
Extra hooks for hanging up cloths or a dustpan and brush

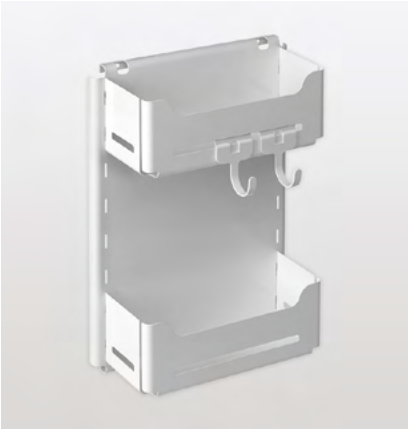
## TECHNICAL ILLUSTRATION

|                           |          |
|---------------------------|----------|
| <b>B= Unit widths</b>     | ≥ 200 mm |
| <b>T= Interior depth</b>  | ≥ 330 mm |
| <b>H= Interior height</b> | ≥ 434 mm |



|                           |          |
|---------------------------|----------|
| <b>B= Unit widths</b>     | ≥ 450 mm |
| <b>T= Interior depth</b>  | ≥ 200 mm |
| <b>H= Interior height</b> | ≥ 434 mm |





## Sesam Mini

Multi-purpose shelf system

- The ideal place to store small utensils thanks to the high, closed trays
- Can be fixed to the right or left wall
- Modular system, so the shelves are height-adjustable

Set includes:

- 1 shelf system
- 2 clip-on shelves
- 2 clip-on hooks

| Unit width | Surface    | Width | Depth | Height | Art. No.    |
|------------|------------|-------|-------|--------|-------------|
| 200 / 450  | white      | 121   | 278   | 434    | 600.0380.01 |
| 200 / 450  | silver     | 121   | 278   | 434    | 600.0380.12 |
| 200 / 450  | anthracite | 121   | 278   | 434    | 600.0380.43 |



## Clip-on hook

To clip onto the clip-on shelf Libell Sesam

|  | Surface    | Width | Depth | Height | Art. No.    |
|--|------------|-------|-------|--------|-------------|
|  | white      | 50    | 48    | 88     | 600.0359.01 |
|  | silver     | 50    | 48    | 88     | 600.0359.12 |
|  | anthracite | 50    | 48    | 88     | 600.0359.43 |