

# TRIO LARDER UNIT



A clear, attractive layout and unbeatable access – what more could you ask for in a larder unit?



## CONFIGURATIONS



Libell shelves, white



Libell shelves, silver



Libell shelves, anthracite

## DISTINGUISHING FEATURES



- When the unit is opened, the system offers a full overview and direct access
- Two Extendo pull-out shelves provide an excellent overview and immediate access to heavy pots and kitchen appliances
- Easy front access and a full view of all shelf contents when fully extended
- Uses every last inch of space across the entire width of the unit
- Everything in the unit is easy to reach – even items stored on the top shelf, since the shelves are only half the depth of the unit
- Smaller groceries and spice jars in the door shelves
- Bigger bags and groceries on the shelves inside the unit
- The door shelves can be fixed in place with just two screws
- The shelves' rounded corners and edges make them easy to clean
- Suitable for units with standard hinges (front panels with handles or handle-free front panels with push-to-open system)

## OPTIONS



### Non-slip mat

The non-slip mat for Libell shelves stops the unit's contents from sliding around.

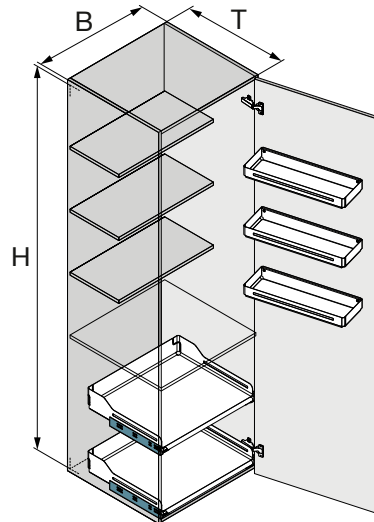


### Divider

Magnetic dividers are a flexible way for you to organise the space on your Libell shelves and stop stored items from falling out of the unit.

## TECHNICAL ILLUSTRATION

<b>B= Unit widths</b>	600 mm
<b>T= Interior depth</b>	508 mm
<b>H= Interior height</b>	1900 mm





### Trio larder unit

Combination set for larder units incl. universal adapter set

Set includes:

- 3 door shelves Libell 1/3 (depth: 161 mm)
- 2 Extendo Libell pull-out shelves incl. spacer and universal adapter set for drawer runners of Blum, Grass, Hettich, etc. with a nominal length of 450 mm (excl. Blum Legrabox)

Does not include Extendo drawer runners or fixed wooden shelves.

Suitable for larder units over 1,900 mm tall

Unit width	Surface	Width	Depth	Height	Art. No.
600	white	562-568	508		100.1153.01
600	silver	562-568	508		100.1153.12
600	anthracite	562-568	508		100.1153.43



### Trio larder unit

Combination set for larder units incl. adapter set Blum Legrabox

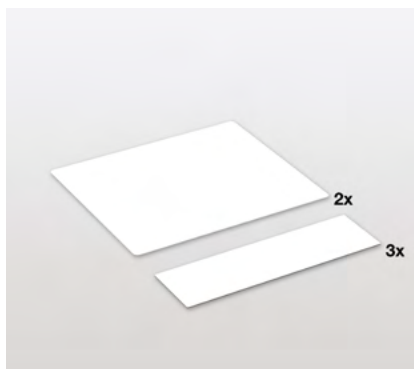
Set includes:

- 3 door shelves Libell 1/3 (depth: 161 mm)
- 2 Extendo Libell pull-out shelves incl. spacer and adapter set for drawer runner Blum Legrabox with a nominal length of 450 mm

Does not include Extendo drawer runners or fixed wooden shelves.

Suitable for larder units over 1,900 mm tall

Unit width	Surface	Width	Depth	Height	Art. No.
600	white	562-568	508		100.1154.01
600	silver	562-568	508		100.1154.12
600	anthracite	562-568	508		100.1154.43



### Non-slip mat set magnetic Libell

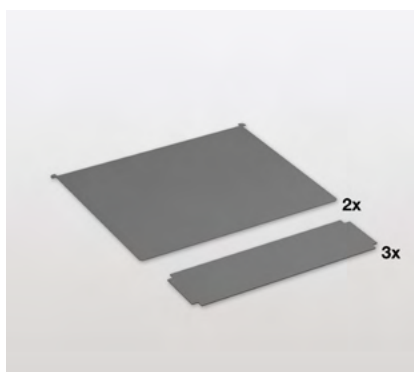
For Trio larder unit (Extendo and door shelves)

- Magnetic
- Easy to remove for cleaning

Set includes:

3 mats for door shelves Libell 1/3  
2 mats for Extendo pull-out shelves

Unit width	Surface	Width	Depth	Height	Art. No.
600	oyster white				100.1156.57



### Non-slip mat set Standard Libell

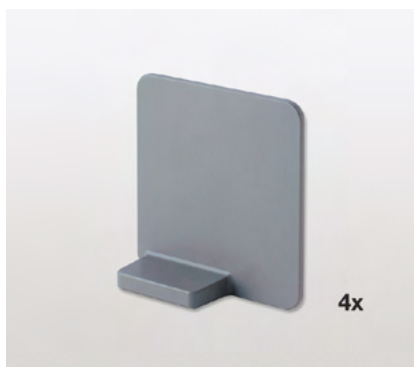
For Trio larder unit (Extendo and door shelves)

- Gummed on both sides
- Raised diamond pattern
- Easy to remove for cleaning

Set includes:

3 mats for door shelves Libell 1/3  
2 mats for Extendo pull-out shelves

Unit width	Surface	Width	Depth	Height	Art. No.
600	grey				100.1155.18



### Divider set magnetic

For Libell and Fiore shelves

- Can be attached to the shelf (base or side) or the non-slip mat

Set of 4 pieces

	Surface	Width	Depth	Height	Art. No.
	white	85	26 / 3	90	100.1121.51
	grey	85	26 / 3	90	100.1121.52
	anthracite	85	26 / 3	90	100.1121.43