


# LINA TROUSER RACK



The innovative rack for storing trousers without creasing them



 swiss made

## CONFIGURATIONS



Lina Standard  
(white, silver, anthracite)



Lina Basic  
(white, silver, anthracite)

## DISTINGUISHING FEATURES



- Space for up to 15 pairs of trousers (Standard)
- Beautifully designed and highly stable Libell metal shelf for storing belts and accessories



- The cleverly-designed hangers can be clipped onto the front of the shelf individually
- Easy to attach to the left or right wall of the wardrobe (Lina Standard)



- Use every last inch of space in your wardrobe with Lina Basic
- Slots in under a shelf (Lina Basic)

## OPTIONS



### Extra hangers

Extra hangers boost the storage capacity of your trouser rack. Besides, the hangers can be used on conventional hanging rails too.



### Wooden boxes

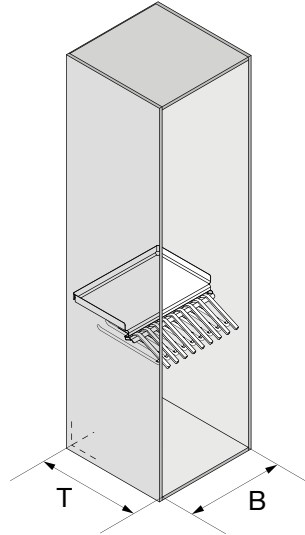
Handmade oak boxes for storing jewellery and accessories.

## TECHNICAL ILLUSTRATION

### Lina Standard

**B= Interior width** ≥ 445 mm

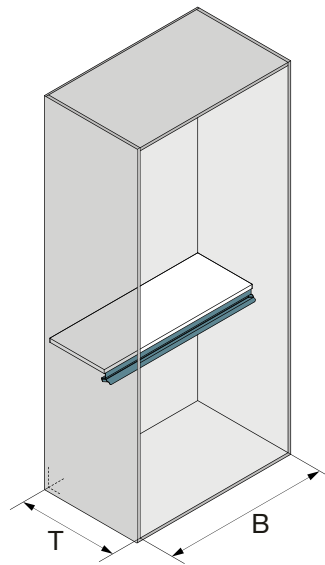
**T= Interior depth** ≥ 530 mm

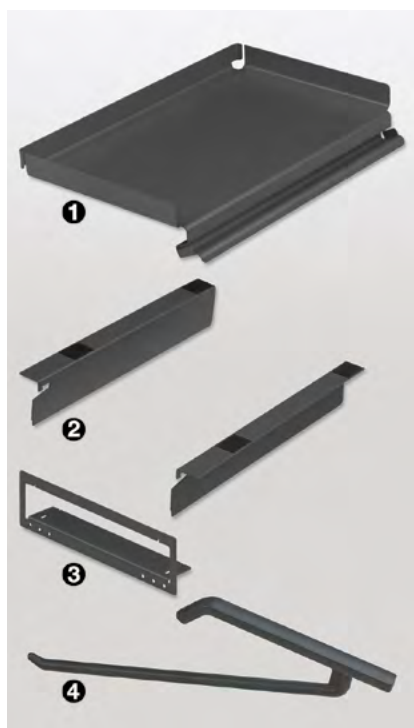


### Lina Basic

**B= Interior width** ≥ 460/760/960 mm

**T= Interior depth** ≥ 530 mm





## Lina Standard

Wardrobe storage system for trousers

- Can be mounted to the left or right wall

Set consisting of:

- #1 - 1 shelf
- #2 - 2 shelf supports (1 left, 1 right)
- #3 - 1 wall plate
- #4 - 9 hangers

Internal depth: min. 530 mm

Load capacity: 15 kg

	Surface	Width	Depth	Height	Art. No.
	white	440	516	162	600.0364.01
	silver	440	516	162	600.0364.12
	anthracite	440	516	162	600.0364.43



## Lina Basic

Wardrobe storage system for trousers

- To be mounted under a shelf
- Custom widths of up to 1,250 mm available on request

Set consisting of:

- 1 metal support
- X hangers\*

- \* 9 with the 500 mm version
- 15 with the 800 mm version
- 18 with the 1,000 mm version

Interior depth: min. 530 mm

Unit width min.	Surface	Width	Depth	Height	Art. No.
500	white	460	80	51	600.0423.01
500	silver	460	80	51	600.0423.12
500	anthracite	460	80	51	600.0423.43
800	white	760	80	51	600.0424.01
800	silver	760	80	51	600.0424.12
800	anthracite	760	80	51	600.0424.43
1000	white	960	80	51	600.0425.01
1000	silver	960	80	51	600.0425.12
1000	anthracite	960	80	51	600.0425.43



### Additional hanger set

For hanging on the Lina trouser rack

Set of 3 hangers

	Surface	Width	Depth	Height	Art. No.
	grey	17	423	100	600.0365.59



### Wooden box

For shelf Lina Standard

- Divided into two compartments

	Surface	Width	Depth	Height	Art. No.
	Light oak	437	308	43	600.0377.36