

# OEKO COMPLET WASTE SYSTEM

The hard-wearing complete system for household waste sorting



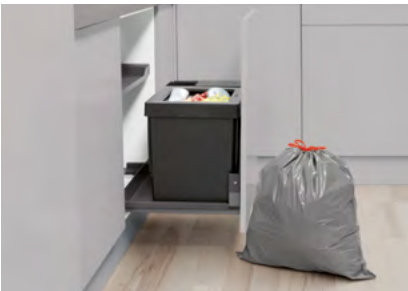
swiss made

## CONFIGURATIONS



anthracite

## DISTINGUISHING FEATURES



- Makes optimal use of space thanks to its generously-sized containers and additional storage
- Waste sorting and disposal is a piece of cake with Oeko Complet
- Choose the containers you want and arrange them however you like
- Waste bags of various sizes (15 to 50 litres) can be clipped into the frame quickly and easily
- The pull-out metal shelf offers extra storage space
- Handy additional container for compost or cleaning materials
- The system's height can be adjusted through 30 mm, so it fits under any sink
- Complete system, including extension runners with a load capacity of 110 kg
- Soft opening and closing make for smooth, quiet movement

## OPTIONS

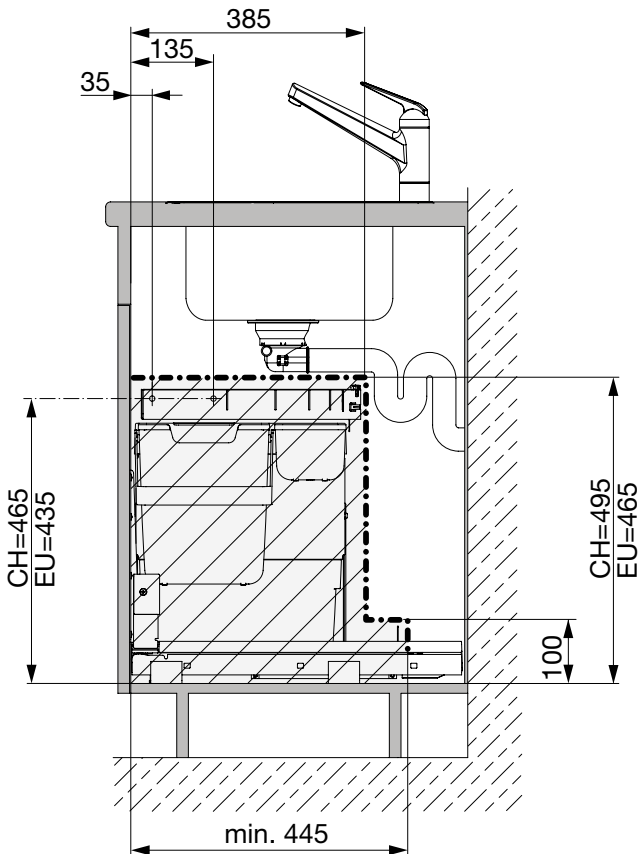
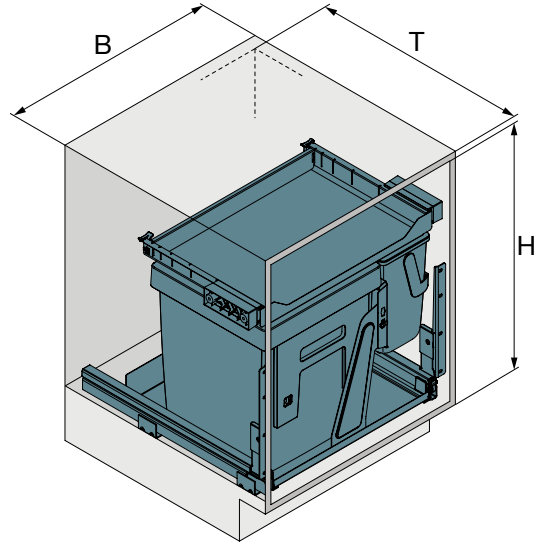


### Foot pedal

The foot pedal allows you to open the door hands-free – simple and hygienic!

## TECHNICAL ILLUSTRATION

<b>B= Unit widths</b>	450/500/550/600 mm
<b>T= Interior depth</b>	495/545 mm
<b>H= Interior height</b>	495/465 mm



Depth = length of the guide rail

Installation depth 540 mm = standard unit



### Oeko Complet | 40 litres

Complete mechanism set, including sliding system (load capacity of 110 kg)

- Height-adjustable
- For side panels measuring 16 and 19 mm

Set includes:

- 1 x 40 litre waste bin
  - 1 x Sliding system with Softopen and Softclose
  - 1 x Pull-out metal shelf
- Set of assembly material

Unit width	Surface	Width	Depth	Height	Art. No.
450 / 500	anthracite	412 - 468	490	490 / 460	200.1661.43
450 / 500	anthracite	412 - 468	540	490 / 460	200.1664.43

Depth = length of the guide rail



### Oeko Complet | 17+17 litres

Complete mechanism set, including sliding system (load capacity of 110 kg)

- For side panels measuring 16 and 19 mm

Set includes:

- 2 x 17 litre multi-purpose container\* including lid
  - 1 x Sliding system with Softopen and Softclose
  - 1 x Pull-out metal shelf
- Set of assembly material

Unit width	Surface	Width	Depth	Height	Art. No.
450 / 500	anthracite	412 - 468	490	460	200.1662.43
450 / 500	anthracite	412 - 468	540	460	200.1665.43

Depth = length of the guide rail | \* Not suitable for 17 litre waste bags



## Oeko Complet | 40+6+1,2 litres

Complete mechanism set, including sliding system (load capacity of 110 kg)

- Height-adjustable
- For side panels measuring 16 and 19 mm

Set includes:

- 1 x 40 litre waste bin
  - 1 x 6 litre compost bin including lid
  - 1 x 1,2 litre multi-purpose container
  - 1 x Divider panel
  - 1 x Sliding system with Softopen and Softclose
  - 1 x Pull-out metal shelf
- Set of assembly material

Unit width	Surface	Width	Depth	Height	Art. No.
550 / 600	anthracite	512 - 568	490	490 / 460	200.1660.43
550 / 600	anthracite	512 - 568	540	490 / 460	200.1663.43

Depth = length of the guide rail



## Foot pedal

For peka waste system Oeko Complet

- Hands-free opening of the waste sorting system
- Softclose and selfclose also work with a pedal
- Front can be opened with pedal and handle
- For unit base thicknesses of 16 and 19 mm
- The foot pedal can be retrofitted at any time

Plinth height: min. 75 mm

Plinth recess: min. 25 mm

Ejection stroke: 45 mm

	Surface	Width	Depth	Height	Art. No.
	mat chromed				200.1401.00